

W=600mm SAFEbox IP55 Outdoor Wall Mounting Cabinets

SAFEbox IP55 Outdoor Wall Mounting Cabinets are designed for industrial applications.

Based on EN60529 provided IP55 protection class against dust and water ingress.

Where the enclosure provides IP55 protection against dust and water, with Fan and Filter integration performs IP54.

Application areas are open areas under effects of environment, with protection of the equipment inside the enclosure against ingress of solid foreign objects (falling dirt and windblown dust) , and to provide a degree of protection with respect to harmful effects on the equipment due to the ingress of water (rain, sleet, snow, splashing water)

Totally Gasketed doors, IP55 performing casted Handled Locking with 3 point locking system, isolated cable entries provides the best performance on the water and dust ingress.

t=1,5mm thickness material monoblock welded construction, with Epoxy Poliester type powder coating which is RAL 7035 Light Grey color, provides the corrosion resistance.

Filtered inlet of fresh air with protection cap and exhaust of hot air structure is in shipping configuration provides passive ventilation, at any time those filters can be equipped with Fans for Forced Ventilation



Width = 600mm
Depth = 450/600mm

Standard Heights:

4 different U heights: 7U,9U,12U,16U

Standards, and Compliances:



ISO 9001:2008

Quality Management System

EN 61587 -1:2012

Mechanical Structures for
Electronic Equipment

IEC 297-1, 19" mounting

IEC 297-2 Overall cabinet dimensions

EN 60529- IP55 protection class



CE conform to

EN 60950-1:2006

Information Technology
Equipment – Safety – Part-1-
General Requirements



Environment Friendly;

*Environmental awareness

*RoHS compliancy

*% 100 Recyclable

Material

Load Capacity: 100kgs.



SAFEbox IP55 Outdoor Wall Mounting series Enclosures with 19" w:600mm and d:450/600mm sizes, in 4 different U heights, gives a wide selection chart for users

Standard Color:



RAL 7035 Light Grey

CONSTRUCTION DETAILS:

Integrated Fan Filter Housings creates fresh air inlet, performing IP54 protection of water and dust ingress. With the metal cap on the Fan filter housings the enclosure is protected against splashing water.

Roof Canopy provides IP54 protection once 1 or 2 Fan Module integrated on the ABS Grill Housing. Openings are allowing the proper hot air removal from enclosure.

***See options of hot airremoval on drawings.

Casted Iron Handed Locking with 3 point locking system provides security and anti-vandal structure, where helps maintaining the IP55 protection

IP55 conforming cable entry points, multiple access with 2xPG21, 1xPG48 integrated cable entry pats, 2 pcs 28mm diameter PVC Blind cap. Which all of are as option can be replaced with PG21 cable entry pats. After insertion of the cables to the enclosure, recommended to close the openings with foam or proper isolation material.

Grounded front door to the main body with yellow/green 4,0mm diameter copper wire.

Front door has the strengtning bar welded inside part of the front door, 2 pcs U Shaped.

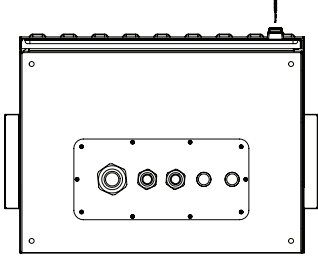
19'' rails of Lande SAFEbox IP55 Series Wall cabinet are with automated silk-screen U numbering, depends on size 1U to 16U, same from top to bottom or bottom to top results to same U height selection. No matter from where you have started counting. 19'' rails are 4 fold bending surfaces, 1,5mm thickness provides the high load capacities. The 19'' rails are made of steel with 8-12 micron zinc plating for corrosion resistance. 19'' rails are adjustable in depth. Cabinets are delivered with 1set:2pcs 19'' rails in front.

The front door is being closed on gasketing system on the flange bends of the enclosure body.

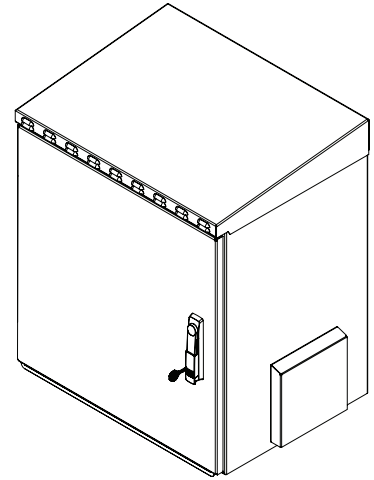
Included 4 pcs, t:3,0mm thickness wall fixing brackets with proper washer and screws.



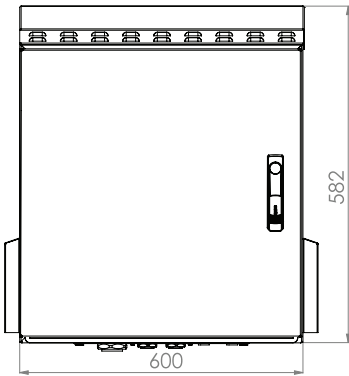
CONSTRUCTION
DRAWINGS



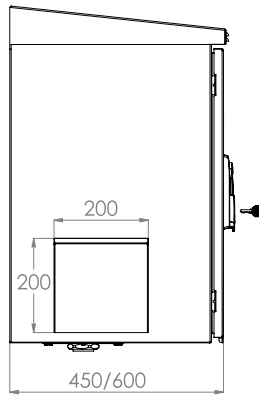
BOTTOM VIEW



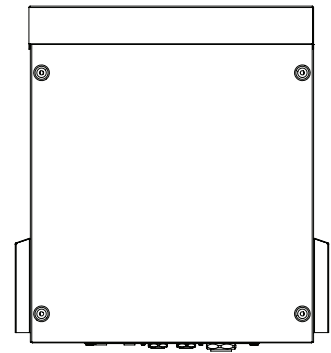
ISOMETRIC VIEW



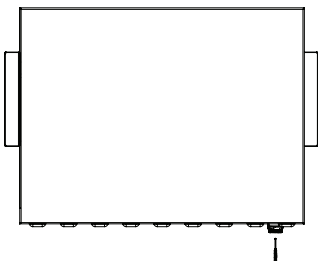
FRONT VIEW



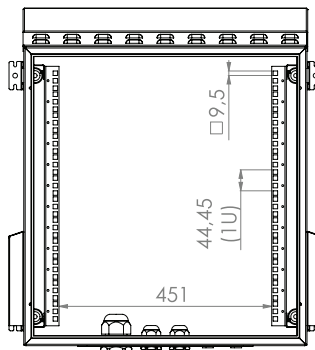
SIDE VIEW



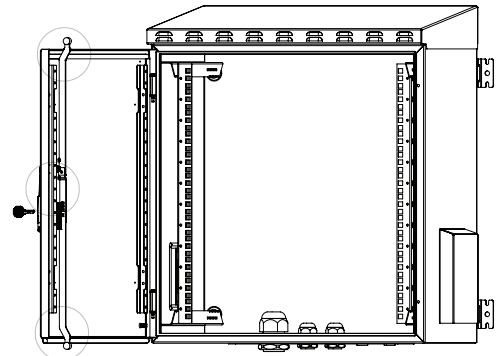
REAR VIEW



TOP VIEW



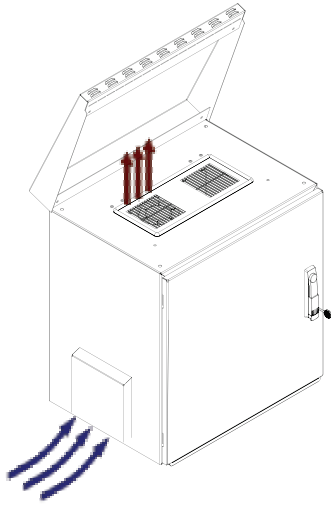
INSIDE VIEW



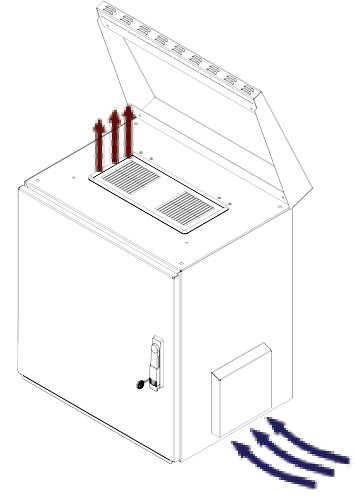
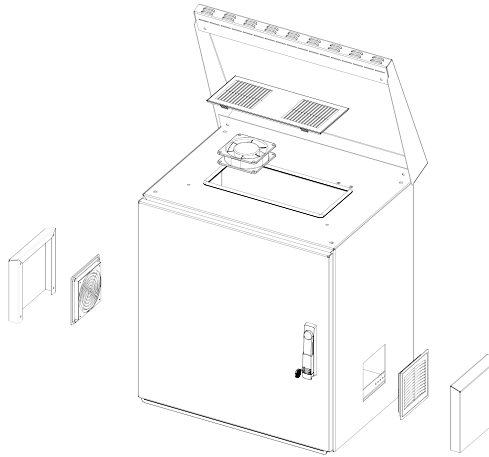
3 POINT LOCKING SYSTEM

CONSTRUCTION
DRAWINGS

OPTION 1
ONE FAN OUT
TWO FILTER INLET



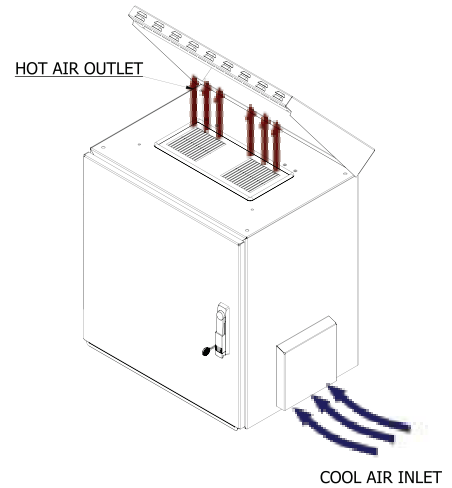
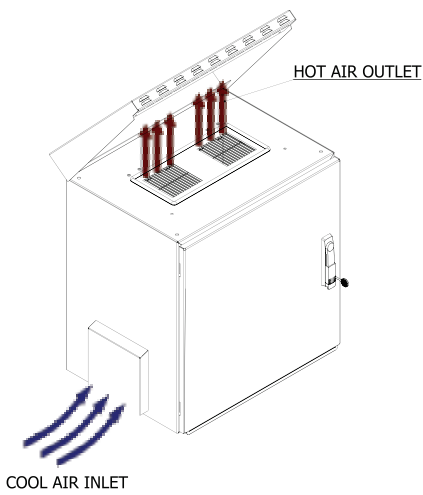
HOT AIR OUTLET



COOL AIR INLET

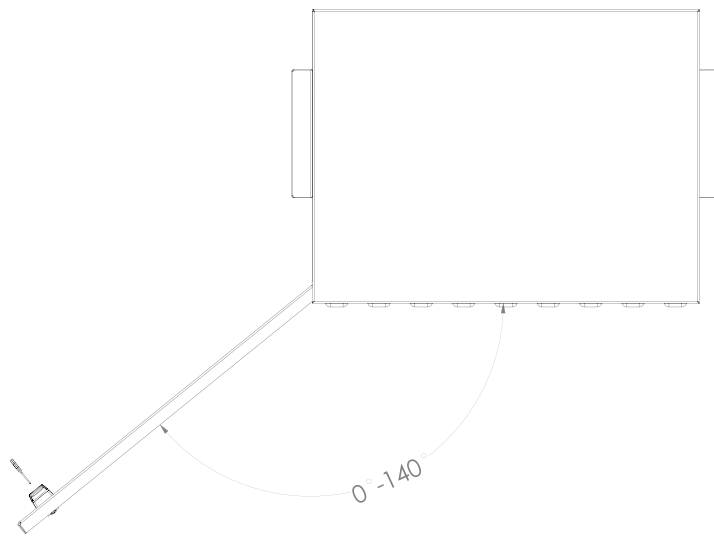
AIR REMOVAL

OPTION 2
TWO FAN OUT
TWO FILTER INLET

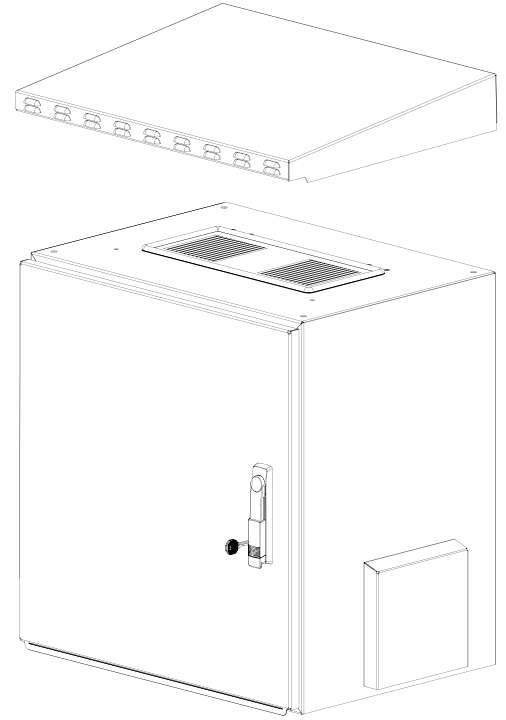


AIR REMOVAL

CONSTRUCTION
DRAWINGS



FRONT DOOR OPENING ANGLE



TOP COVER EXPLODED VIEW

SAFEbox Series IP55 Outdoor Wall Mounting 19" Cabinets W=600mm D=450/600mm

ROOT Product Number ***	Product Description	Size WxDxH mm	h size in U	h in mm	H mm, overall without feet and/or castor	Width Overall mm	Width Rail to Rail mm	Depth Overall mm	Depth Shipping Conf. Rail to Rail mm	QTY IN PACKAGE	PACKING DIMENSIONS WxDxH mm	Standard NET Weight of product kgs	Gross Weight of Product kgs	QTY IN PALETTE	PALETTE DIMENSIONS WxDxH mm	Palette Weight kgs
LN-SBO-IP5507U6045-LG	7U 19" SafeBox IP55 Outdoor Wall Mounting Cabinet W=600mm D=450mm	600x450x490	7U	311	490	600	19"	450	345	1	690x480x510	31	32	16	1300x1300x2200	532
LN-SBO-IP5509U6045-LG	9U 19" SafeBox IP55 Outdoor Wall Mounting Cabinet W=600mm D=450mm	600x450x579	9U	400	579	600	19"	450	345	1	690x480x600	33	34	16	1300x1300x2550	564
LN-SBO-IP5512U6045-LG	12U 19" SafeBox IP55 Outdoor Wall Mounting Cabinet W=600mm D=450mm	600x450x713	12U	533	713	600	19"	450	345	1	690x480x730	37	38	12	1300x1300x2350	476
LN-SBO-IP5516U6045-LG	16U 19" SafeBox IP55 Outdoor Wall Mounting Cabinet W=600mm D=450mm	600x450x891	16U	711	891	600	19"	450	345	1	690x480x910	41	43	8	1300x1300x2000	365
LN-SBO-IP5507U6060-LG	7U 19" SafeBox IP55 Outdoor Wall Mounting Cabinet W=600mm D=600mm	600x600x490	7U	311	490	600	19"	600	495	1	690x630x510	37	38	16	1300x1300x2200	633
LN-SBO-IP5509U6060-LG	9U 19" SafeBox IP55 Outdoor Wall Mounting Cabinet W=600mm D=600mm	600x600x579	9U	400	579	600	19"	600	495	1	690x630x600	40	41	16	1300x1300x2550	681
LN-SBO-IP5512U6060-LG	12U 19" SafeBox IP55 Outdoor Wall Mounting Cabinet W=600mm D=600mm	600x600x713	12U	533	713	600	19"	600	495	1	690x630x730	43	45	12	1300x1300x2350	565
LN-SBO-IP5516U6060-LG	16U 19" SafeBox IP55 Outdoor Wall Mounting Cabinet W=600mm D=600mm	600x600x891	16U	711	891	600	19"	600	495	1	690x630x910	49	51	8	1300x1300x2000	433